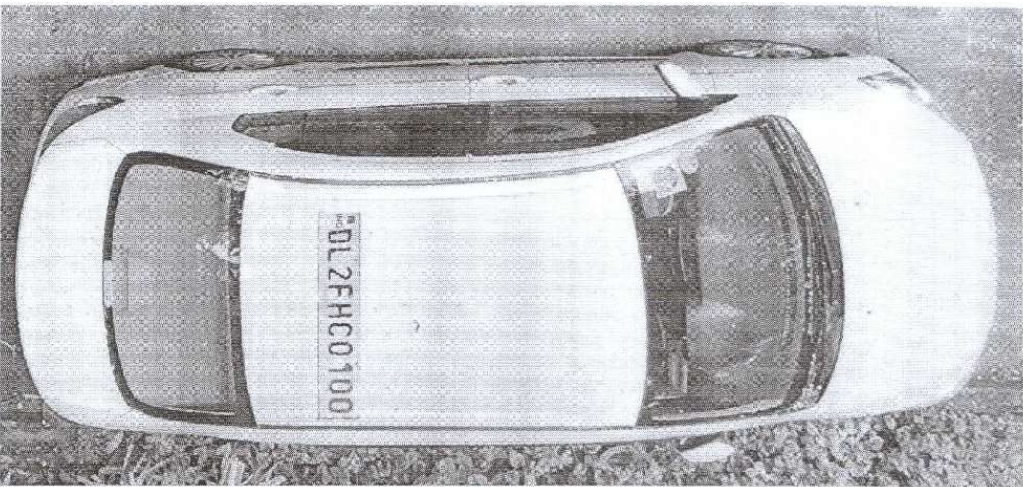


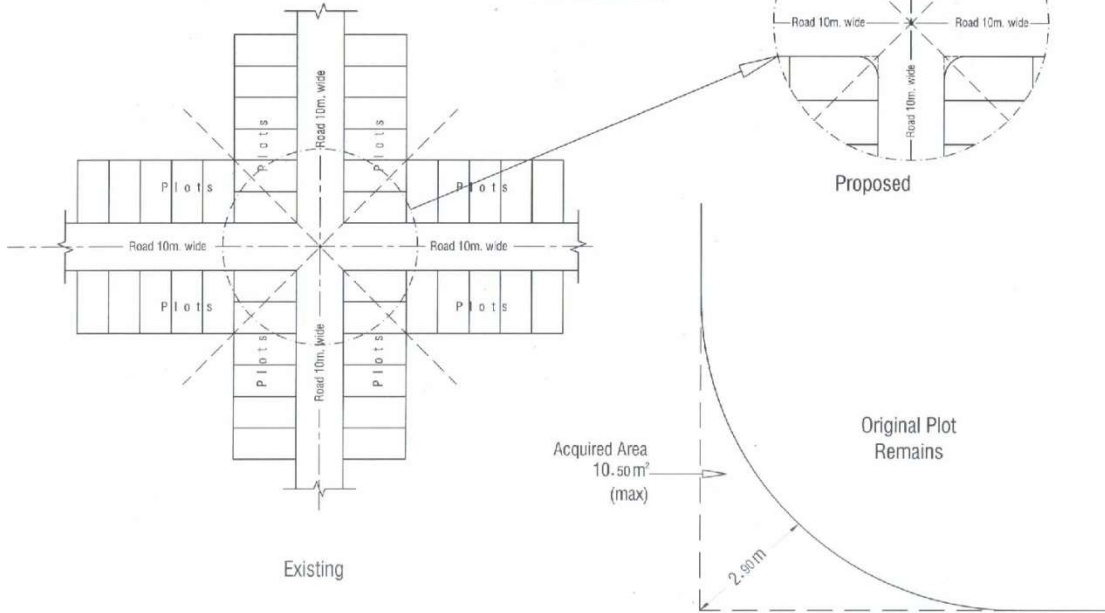
*sticker for capture  
by the Drone camera*



17.07.2023

Dr. Arun Mohan, Sr. Advocate

# Rounding Off Corners



17.07.2023

Dr. Arun Mohan Sr. Advocate